

### TruVision IP 18/36X 2MP Speed Dome

- ◆ True Night vision 150 Meter
- ◆ 1/2.8" Progressive Scan CMOS
- ◆ 2 MPX Full HD sensor
- ◆ Full HD 1080p Real-Time
- ◆ H.265/264 Advanced compression technology
- ◆ ONVIF compliant
- ◆ Optional 7 alarm inputs and 2 relay output
- ◆ 128 preset positions, 8 preset tours and 4 shadow tours
- ◆ 360° endless rotation
- ◆ 240°/s Pan Preset Speed and 200°/s Tilt Preset Speed
- ◆ Optional SDHC card slot
- ◆ IP66 rated



### Camera Specification

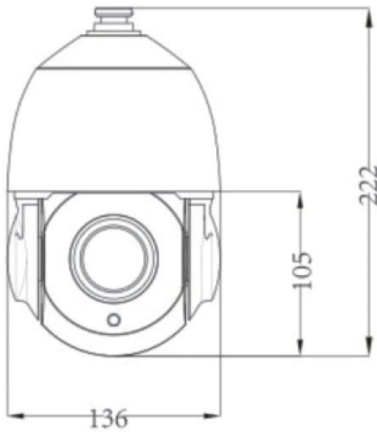
Model	TVS-150RH
Image Sensor	Scan 2.1 megapixel 1/3" Progressive Scan CMOS
Resolution	1920X1080(30FPS/25FPS)
SOC	SONY CMOS, DSP: HI3518
Image Sensor	SONY
Streaming	Triple, <5M bps (1080p) achieve better effect
Wide Dynamic Range	DWDR
Min. Illumination	Color: 0.03 lux @ (f1.6, 1/30s, 50 IRE, AGC On),BW: 0 lux with IR ON
IR Range	150 Meter Smart IR
Support Platform Connect	ONVIF2.0.2; private platform ,ONVIF Profile S, PSIA, CGI
Multi-port	LAN 80 port, WAN WEB support above 1024 port HTTP, support dynamic DNS
WAN	QCIF; dynamic DNS: UPNP; support P2P, auto recover when net off
Day & Night	True Day/Night
Video Output	RJ45 10M/100M adaptive Ethernet port
Power Supply	DC12V/5A
PoE	PoE+ (802.3at): 2.1 A (max.),24 VAC: 2.5 A (max.)
Protection	IP66, TVS3000V lightning/ surge protection
Work Temperature	-10°C+40°C
Work Humidity	<90%
Power	≤51W
Pan/tilt Range	Pan: 360° Tilt: 180°
Pan/tilt Speed	Pan: 0.5°~220°/ sec Tilt: 0.5°~110°/ sec
Preset	128 Max. call preset speed: 200°/sec
PTZ Function	Memory against power off; auto scan; click centered; check box zooming.
Pan Scan	1 zone scan, 360° continuous scan, 360° intermittent scan
Cruise/ Tour	4, 27presets/cruise, 1

As a company of innovation, Hash reserves the right to change product specifications without notice. For the latest product specifications, visit [tvssecurity.com](http://tvssecurity.com) or contact your sales representative.

# The Power of ONE



Zone	set 8 zones, support zone scan
RTC	set any functions at any time
Focus Mode	Manual/Auto
Exposure Mode	Auto Exposure/Auto White Balance/Auto Gain



## Ordering Information

TVS-150RH	36x IP High Speed Dome 2MP, 150 Meter, 4"
TVS-150RH-IP	36x IP High Speed Dome 2MP, 200 Meter, 6"
TVS-250RH-IP	36x IP High Speed Dome 2MP, 300 Meter, 6"
TVS-250RH-MIP	36x IP High Speed Dome 5MP, 300 Meter IR, 6"
TVS-500RH-IP	36x IP High Speed Dome 2MP, 250/500 Meter, 6"
TVS-500RH-MIP	36x IP High Speed Dome 5MP, 250/500 Meter, 6"



MAKE LIFE SAFE AND SMART



The Power of ONE

[www.tvsecurity.com](http://www.tvsecurity.com)

TVS® is registered trademark of HashH

As a company of innovation, HashH reserves the right to change product specifications without notice. For the latest product specifications, visit [www.tvsecurity.com](http://www.tvsecurity.com) or contact your sales representative.